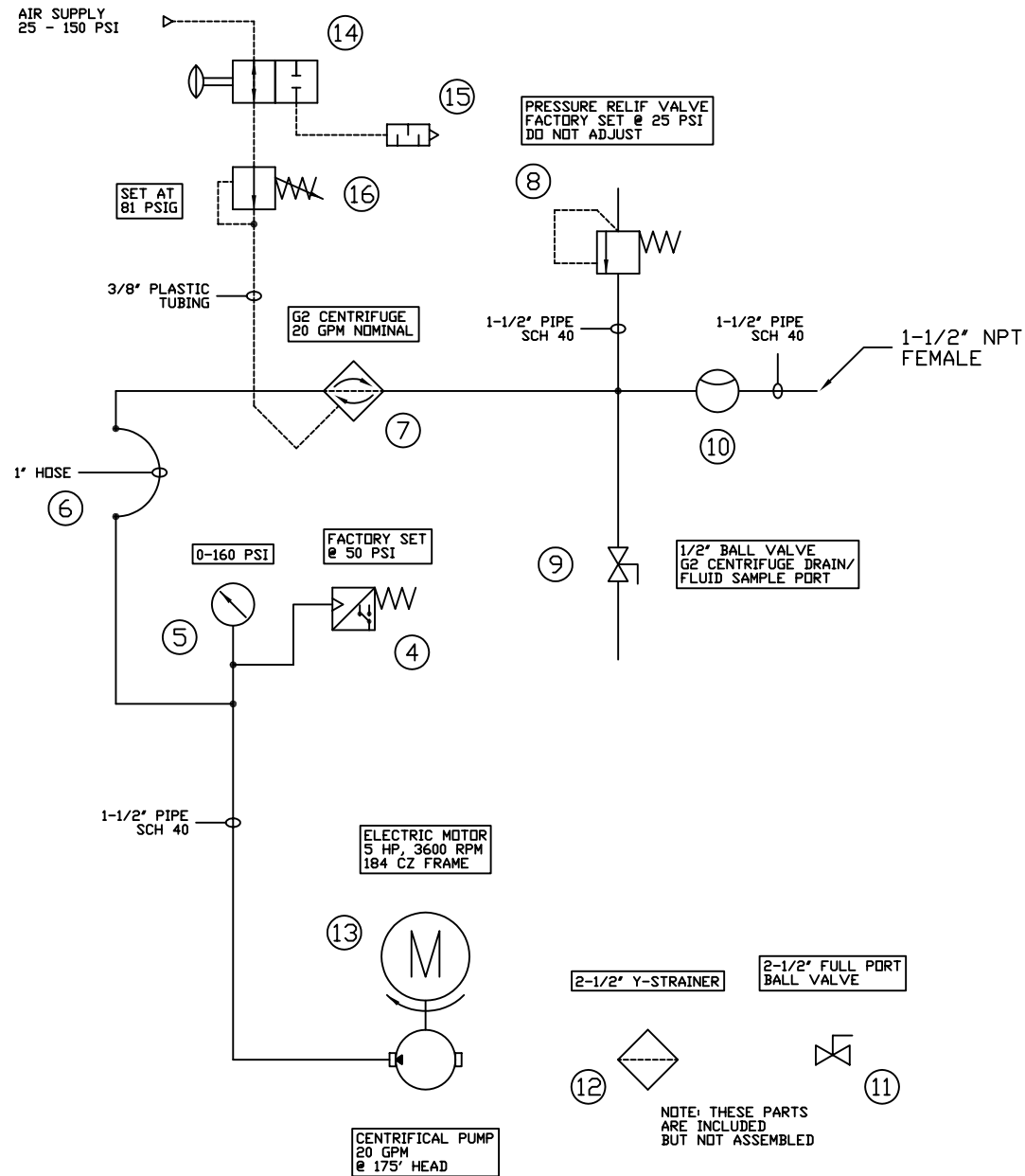
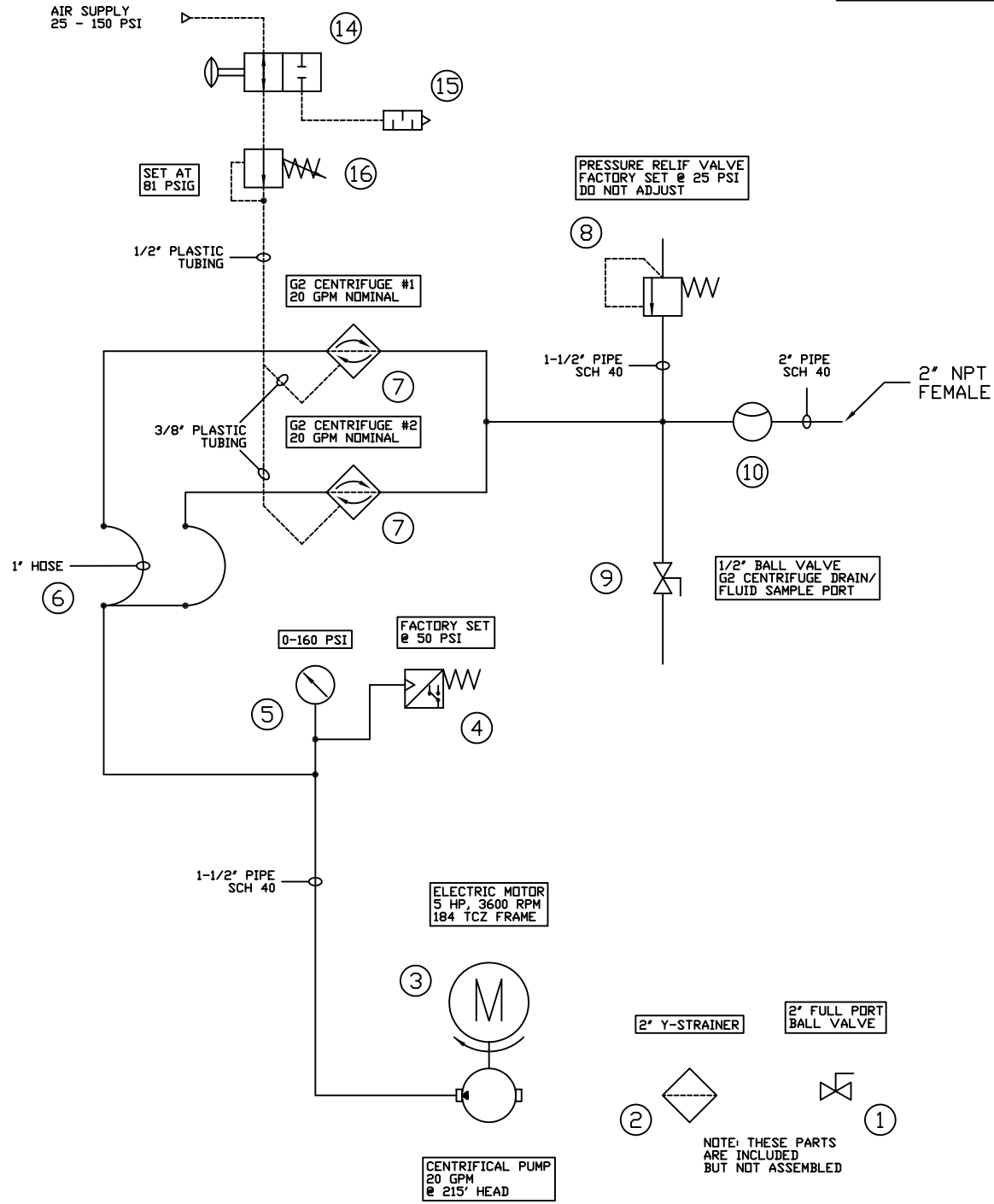


DANGER! NEVER INSTALL A SHUT OFF VALVE IN THE RETURN LINE BETWEEN THE DISCHARGE MANIFOLD AND THE TANK. A CLOSED OR PARTIALLY CLOSED VALVE DURING OPERATION COULD CAUSE DANGEROUS PRESSURE TO BUILD AND COULD RESULT IN AN EXPLOSION.



ITEM	PART NO.	QTY	DESCRIPTION
1	44109-03	1	2" FULL PORT BALL VALVE
2	44109-63	1	2" NPT 250# IRON LATERAL STRAINER
3	44103-40	1	SYSTEM PUMP; GUSHER MODEL MS5-300-FH 5 HP
4	44103-09	1	PRESSURE SWITCH IN TYPE 1 ENCLOSURE
5	44103-15	1	PRESSURE GAUGE; 0-160 PSI
6	44112-19	2	HOSE ASSEMBLY; 35" LONG
7	44103-19	2	G2 CENTRIFUGE; 20 GPM WITH LEVEL CONTROL BASE
8	44109-65	1	1-1/2" PRESSURE RELIEF VALVE
9	MS 0800	1	1/2" BRONZE BALL VALVE
10	44103-20	1	1-1/2" SIGHT FLOW INDICATOR
11	44112-02	1	2-1/2" FULL PORT BALL VALVE
12	44112-02	1	2-1/2" NPT 250# IRON LATERAL STRAINER
13	44103-03	1	SYSTEM PUMP; GUSHER MODEL 11019AH-A 5 HP
14	44112-44	1	HOSE ASSEMBLY; 23-1/2" LONG
15	44103-05	1	MANUAL PNEUMATIC PILOT VALVE
16	44120-09	1	MUFFLER FOR ITEM #15

		G2 FILTRATION		UNLESS OTHERWISE SPECIFIED DIMENSIONS ARE IN INCHES & TOLERANCES ARE:	
		4020 SIMON ROAD YOUNGSTOWN, OHIO 44512		FRACTIONAL DIMENSIONS ±1/16 DECIMAL DIMENSIONS ±.001 ANGLE DIMENSIONS ±1°	
		MACHINE: HYDRAULIC CIRCUIT DRAWINGS			
		OPTION:			
		DRAWN: CRB		DRAWING NUMBER: 4	
		SCALE: NONE		44103	
		DATE: 04/08/05		5	
REV	DATE	DESCRIPTION			